

**Flatpack Four-Way Power Divider,
0.2 - 300 MHz**

**DS-310
V3**

Features

- Insertion Loss: 0.5 dB Typical
- VSWR: 1.1:1 Typical Miband
- Impedance: 50 Ohms Nominal
- Maximum Power Rating or Input Power: 1 Watt Max.
- Internal Load Dissipation: 50 Watts Max.
- MIL-STD-883 Screening Available

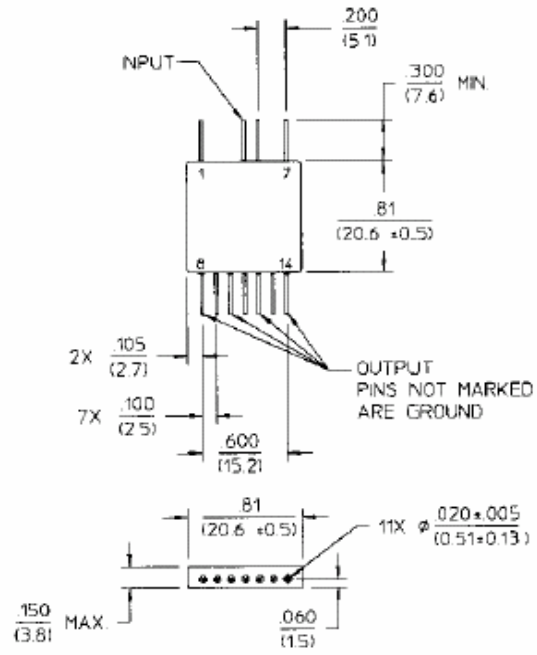
FP-5

Description

A Power Divider is ideally a lossless reciprocal device which can also perform vector summation of two or more signals and thus is sometimes called a power combiner or summer.

Pin Configuration

Pin No.	Function	Pin No.	Function
1	GND	8	Output
2	GND	9	GND
3	GND	10	Output
4	Input	11	GND
5	GND	12	Output
6	GND	13	GND
7	GND	14	Output



Dimensions in () are in mm
Unless Otherwise Noted: XXX = ±0.010 (XX = ±0.25)
.XX = ±0.02 (X = ±0.5)
WEIGHT (APPROX): 0.21 OUNCES 6 GRAMS

Electrical Specifications¹: T_A = -55°C to +85°C

Parameter	Test Conditions	Frequency	Units	Min	Typ	Max
Insertion Loss	Less Coupling	0.3 - 0.5 MHz	dB	—	—	1.0
		0.5 - 100 MHz	dB	—	—	0.5
		100 - 300 MHz	dB	—	—	1.0
Isolation	—	0.3 - 0.5 MHz	dB	20	—	—
		0.5 - 100 MHz	dB	25	—	—
		100 - 300 MHz	dB	15	—	—
Amplitude Balance	—	0.3 - 0.5 MHz	dB	—	—	0.2
		0.5 - 100 MHz	dB	—	—	0.2
		100 - 300 MHz	dB	—	—	0.4
Phase Balance	—	0.3 - 0.5 MHz	°	—	—	1.5
		0.5 - 100 MHz	°	—	—	4.0
		100 - 300 MHz	°	—	—	6.0
VSWR	All Ports	0.3 - 0.5 MHz	Ratio	—	—	2.0:1
		0.5 - 100 MHz	Ratio	—	—	1.3:1
		100 - 300 MHz	Ratio	—	—	1.4:1

1. All specifications apply with 50 ohm source and load impedance.

This product contains elements protected by United States Patent Number 3,428,920.

M/A-COM Inc. and its affiliates reserve the right to make changes to the product(s) or information contained herein without notice. M/A-COM makes no warranty, representation or guarantee regarding the suitability of its products for any particular purpose, nor does M/A-COM assume any liability whatsoever arising out of the use or application of any product(s) or information.

- **North America** Tel: 800.366.2266 / Fax: 978.366.2266
- **Europe** Tel: 44.1908.574.200 / Fax: 44.1908.574.300
- **Asia/Pacific** Tel: 81.44.844.8296 / Fax: 81.44.844.8298

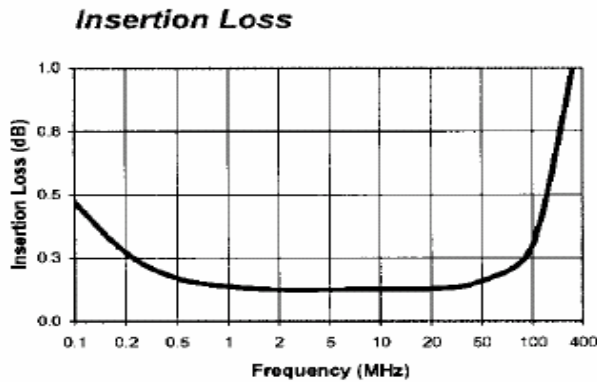
Visit www.macom.com for additional data sheets and product information.

**Flatpack Four-Way Power Divider,
0.2 - 300 MHz**

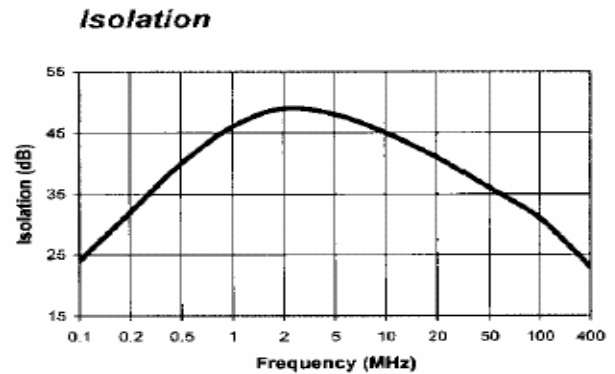
**DS-310
V3**

Typical Performance Curves

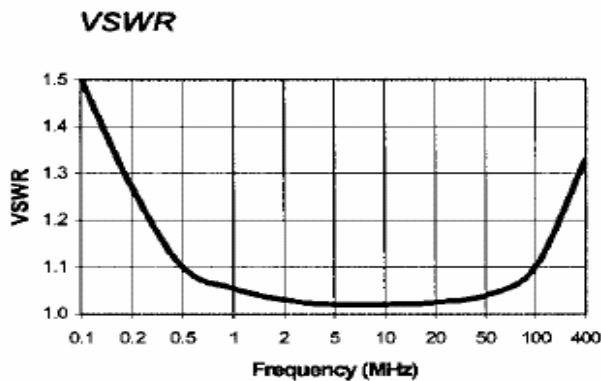
Insertion Loss



Isolation



VSWR



Ordering Information

Part Number	Package
DS-310 PIN	FP-5